

CCMP6AS | Category 6A Shielded Field Termination Plug



Product Description:

CTS Category 6A Field Termination RJ45 Plug is designed for high-performance network connections in Enterprise cabling environments offering quick and superior integrity in shielded installations, ideal for data centers, industrial networks and telecommunications.

Applications:

Data centers and enterprise networks
Industrial Ethernet installations

Standards:

ANSI/TIA-568.2-D
ISO/IEC 11801-1
RoHS, REACH

Features & Benefits:

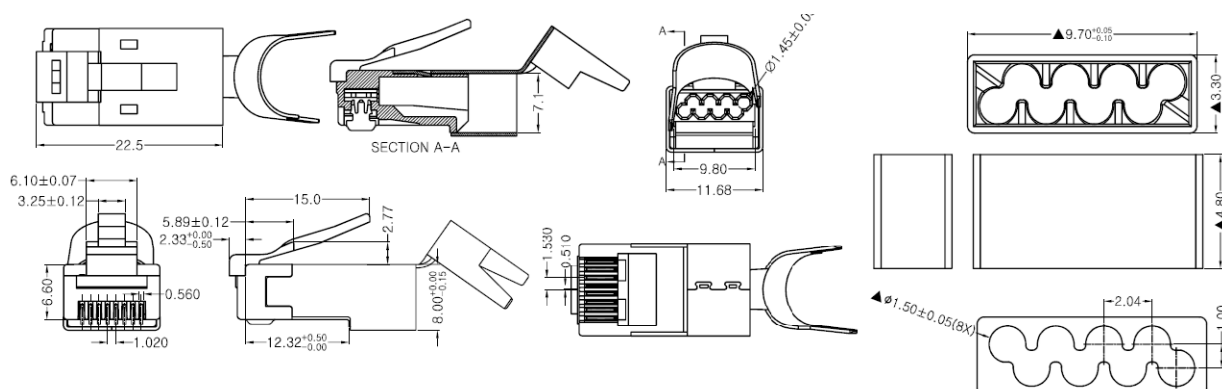
Quick and easy installation
Compatible with both solid and stranded conductors
Durable housing for long-term performance.



*Images are for representative purposes only

Material Specification:

Conductor type	22-24 AWG Solid or Stranded
Rated Current	125V AC, 1.5A @ 25 °C
Contact Plating	50μ-inch Gold over Nickel
Insulation Resistance	≥ 500 MΩ, 100V DC/min
Voltage Proof	1000V AC/1 minute no breakdown
Contact Resistance	≤ 20 mΩ
Operating Temperature	-40 °C to +85 °C



Ordering Information:

CCMP6AS

CTS Category 6A Shielded Field Termination Plug

Version 01-01

